

# MovieTech

GRIP EQUIPMENT YOU CAN RELY ON!



## KIRIN CRANE SYSTEM TECHNICAL USER GUIDE

Version: 08/2021

Language: English



**MovieTech AG**  
Martin-Kollar-Str. 9  
80801 Munich – Germany  
+49 (0) 89 /436 891 3 | [info@movietech.de](mailto:info@movietech.de)



**Table of content**

1. Introduction.....	5
2. General Information .....	6
1) Intended use:.....	6
2) Product details.....	6
3) Warranty.....	7
3. EU – Declaration of conformity.....	8
4. Safety Guidelines.....	9
5. Arm Height .....	12
6. Kirin Crane Set-Up Versions.....	13
1) Jib Arm Version –J1,5.....	14
2) Jib Arm Version –J3 ( 4700-11).....	15
3) Jib Arm Version –J5 ( 4700-12).....	16
4) Platform Version –P2 ( 4700-06).....	17
5) Platform Version –P2 ( 4700-07).....	18
6) Platform Version –P5 ( 4700-08).....	19
7) Platform Version –P6,5 ( 4700-09).....	20
8) Remote Version –R8 ( 4700-02).....	21
9) Remote Version –R10 ( 4700-03) .....	22
10) Remote Version –R12 ( 4700-04) .....	23
11) Remote Version –R14 ( 4700-05) .....	24
7. KIRIN System Components.....	26
1) Overview.....	26
2) Description and Article Codes.....	27
8. KIRIN Dollies .....	28
1) Kirin Base Dolly ( 4705-01SET).....	28
2) Jib Dolly (7530-OSET).....	30
9. Kirin Head Options .....	31
1) Remote Head Mount (4700-9100).....	31
2) Nose Mount (4700-9800) .....	32
3) Jib Head (4700-9700) .....	32
4) Manned Platform (4700-9500).....	33
10. Set-Up: step by step .....	34
11. Recurrent inspection.....	38



## 1. Introduction

We are very glad that you decided to work with our MovieTech KIRIN CRANE SYSTEM.

We hope you enjoy it as much as we do !

Everyone at MovieTech is passionate about grip equipment. In case you have useful feedback for us or you have a question concerning our products, please do not hesitate a second to contact us – we´re gladly there for you!

The KIRIN CRANE SYSTEM is the result of countless feedback from our customers all over the world. But even though we have been working with greatest care and attention to detail in the development of this new camera crane, there is absolutely nothing like the real stress test in its “natural habitat” – the film set.

In order to improve even the very last details, the KIRIN was used during various productions. Always with the aim of developing a user-friendly, versatile, robust and reliable camera crane that users will love.

MovieTech stands for high quality and reliable grip equipment. In order to meet the high demands of our customers and fulfill our motto “Grip-Equipment you can rely on”, we produce our products with passion and care in our factory in Munich.

The following user manual intents to describe how to use the Kirin crane system and especially how to avoid any kind of safety risk.

These are our contact details:

**MovieTech AG**  
Martin-Kollar-Str. 9  
80801 Munich – Germany  
+49 (0) 89 /436 891 3 | [info@movietech.de](mailto:info@movietech.de)



All the best,  
Your MovieTech Team.



## 2. General Information

### 1) Intended use:

The MT Kirin Crane System is a mobile camera crane system which shall only be used to carry cameras and their operators for use in motion picture productions in a stationary position (on levelling legs) or on tracks (with track wheels). The crane system may not be used for any purpose other than that specified.

The Kirin Crane System is a product family that can be set up in various different assembly versions. This user manual describes the most common configurations. Configurations that are not described in this user manual require prior configuration of the MovieTech technical department. Components of other Camera Crane Types (e.g. MT 400) may not be combined with any component of the Kirin System family.

Please carefully read and understand the following safety instructions and set up manual before use of the equipment! Operating the crane system can be dangerous when the safety instructions as follows are not strictly taken care of. The Crane may only be set-up by trained and skilled staff and in accordance to the instructions as follows.

### 2) Product details

<b>Product:</b>	<b>MovieTech Kirin Crane</b>	
Manufacturer:	MovieTech AG Martin-Kollar-Str. 9 D- 80801 München +49 (0) 89 /436 891 3	
Payload:	Depending on version (see following pages)	
Material:	Aluminum (mainly), stainless steel, synthetic materials	
Surface treatment:	Anodization - HART-COAT®	
Year of construction:		
Version:		
Serial no.:		
Purchaser:	Company:	
	Address:	
	Contact details:	
	Contact person:	

### 3) Warranty

All parts have a warranty period of 12 months, beginning on the date of delivery.

**Caution:** Any warranty expires if operating and maintenance instructions are not strictly followed. The same applies if any changes are made to the product, if parts of the equipment are replaced with external parts, or if the equipment is handled improperly.

The purchaser undertakes to exempt us from any claims for compensation which might arise on the part of third parties vis-à-vis us, whether resulting from putting into service or from using the equipment. The purchaser must inform our customer service management in writing about any discernible defects without delay – at the latest, however, within one week after receipt of the delivered item. Defects which do not become discernible within this period, even after careful examinations, must be reported to MovieTech by the purchaser in writing immediately after discovery. In the event that the purchaser should report that the products do not correspond to the warranty, we may require at our discretion that either

- the defective equipment or the defective part is to be sent to MovieTech for repair and subsequent return, or
- the purchaser keeps the defective equipment or the defective part available, and we shall commission an expert who will be sent to carry out the repair.

Transport cost and travelling expenses incurred for the purpose of remedying defects shall be borne by the purchaser. Defects which occur to the equipment as a result of natural wear and tear are not covered by the warranty. When asserting claims under warranty, it is the duty of the purchaser to prove that the defects were not caused by any circumstance which are among the risks within his sphere of responsibility (such as transport damage, improper operation, etc.). Any further claims in particular claims for damages for direct or indirect damage are excluded. If after an appropriate time it is not possible to remedy the defect, the purchaser may at his discretion demand a reduction of the payment or cancellation of the contract. Only the direct purchaser shall be entitled to make warranty claims against MovieTech; such claims are not assignable.

### 3. EU – Declaration of conformity



- Konformitätserklärung

Im Sinne der EU-Richtlinie für Maschinen 06/42/EG erklären wir hiermit, dass die Bauart des

**Kamerakran-Systems**

**Typ: Kirin Kran mit Basis-Dolly**

in der serienmäßigen Ausführung der Richtlinie für Veranstaltungs- und Produktionsstätten für szenische Darstellung (VGB 70) entspricht.

A handwritten signature in blue ink, appearing to read 'Sebastian', is written over a light blue circular stamp.

München, 2021/03/01



## 4. Safety Guidelines



- Training for a safe operation of the system is offered by Movie Tech. Contact us +49 (0) 89 436 89 1 3
- Two people are required to set up the crane. Personnel must wear safety shoes, since the counterweights can present a particular danger if they fall.
- Minimum Age to operate the crane system is 18 years.
- You must read and understand the instruction manual before using the crane. The instruction manual must always be available to the operator at the point of use.
- The crane may only be operated when balanced horizontally in all directions. Levelling legs or a level track are used for alignment. A bubble level is used to check the balance. A commercially available bubble level can also be used.
- The crane can only be operated on levelling legs or with guide wheels. The mounted pneumatic tyres are used to transport the crane to the point of use only. The pneumatic tyres can be used to move the erected crane without payload and without the corresponding counterweight.
- Make sure that the ground can bear the weight of the crane before setting it up (at least 1200 kg/m<sup>2</sup>). The surface load is a result of the crane's own weight in the required version plus counterweight and payload divided by the footprint or contact area. On this basis, the total surface load is approx. 1.5 m<sup>2</sup> (load-bearing capacity of ceilings in buildings). For the load under an individual levelling leg, particularly important in an open area, a third of the total weight of the version used is to be taken into account. It may be necessary to increase the area under the levelling legs using wooden plates or similar (grass, meadow, beach).
- Do not set up or operate the crane while under the influence of drugs, alcohol or other medicines and narcotics.
- Never operate the crane in the immediate vicinity of high-voltage lines – danger to life.
- The crane must be shut down in sufficient time before the maximum permitted operating wind of 25 km/h or 6,9 m/s (15.5mph) is reached.
- Particular care is required when operating the crane in unfavourable weather conditions. The crane must be shut down in sufficient time when a thunderstorm is threatening. When in doubt, the crane should be secured and the area evacuated. Pathways and operating elements should be kept free of ice if there is a risk of ice forming.

## GRIP EQUIPMENT YOU CAN RELY ON!

- All elements of the crane must be within the field of vision of the operating personnel when in use. Visual obstructions can include window blinds, fog or darkness. The crane can only be moved by line of sight.
- Any movements to be carried out with the crane must be adequately rehearsed. Pay particular attention to keeping the area of movement in front of and behind the crane free of obstacles. Quick movements and/or panning must be rehearsed starting at low speeds. Make sure that the stability of the crane is not negatively affected by the dynamics of the quicker movement under increasing speed. Pay attention to critical situations that may arise when lifting a levelling leg or guide wheel.
- **EXTREME CAUTION:** These safety measures are especially important when moving the crane on curved tracks! The maximum speed in the circle (Master Track, diameter approx. 6 m) is 6.5 km/h | 4 mph (slow walking pace), which corresponds to 35°/sec. or three crossties per second. Caution – risk of tipping!
- All materials and equipment used must be securely attached to the platform or remote crossbeam to prevent any drops.
- Platform crew must immediately buckle up upon mounting the platform and should only dismount after consulting with operating personnel. Caution – risk of tipping!
- Prevent the unauthorised use of the erected crane system.
- It is not allowed to exceed the maximum payload of the respective version and the corresponding maximum counterweight.
- Do not operate the crane on vehicles of any type – uncontrollable movements can be dangerous. (communication between driver  $\Leftrightarrow$  operating personnel, uneven surface, etc.)
- Standing under overhead loads until release by operating personnel is prohibited. Keep the danger zone cordoned off until release and mark as a danger zone if necessary. People within the pivoting range of the crane must be specially instructed and informed about the dangers. The operator must anticipate that such individuals may suddenly find themselves within pivoting range of the crane and therefore, must maintain a safe distance to the crane to ensure sufficient reaction time.
- Platform crew must be instructed that they are not permitted to grip the surrounding structure or similar. This can negatively affect the balance of the crane – risk of tipping.
- Should you need to route cable along the crane arm to the remote head or camera, the cable should not negatively impact the movements of the crane in any way. It should also be noted that the weight of the cable counts towards the overall payload.
- The crane system and its individual components should be clean and dry when stored. Any accumulated dirt can negatively impact proper function when the crane is operated next.
- When transporting the crane system, make sure that the components do not rub together and cause any material wear. Severe damage to the surface coating can lead to increased corrosion. Also make sure when transporting the individual components



## GRIP EQUIPMENT YOU CAN RELY ON!

that they do not hit against each other to avoid bending or denting them. Any bends or dents can weaken the structure and make the system unusable.

- Crane components that have become unusable must be professionally disposed of. Movie Tech AG can properly dispose of such components for you by sending them back to us.
- Warranty: The manufacturer accepts no liability for damages or injuries for incidents or accidents occurring due to negligence by the crane operator or misuse of the crane or disregarding the instruction manual.
- To avoid accidents due to misuse, Accident Prevention Guidelines especially DGUV regulation 1 (previously BGV A1), and DGUV regulation 3 (previously BGV A3) as well as VDE regulations (especially VDE 0105 section 100) must be adhered to. If the nominal voltage cannot be determined, a minimum clearance of 5m / 16ft must be kept at all times.
- The crane operator is obliged to inform all persons on the platform to fasten their seatbelts. Persons may only get off of the platform after the respective amount of counterweights are taken out of the basket.
- The load capacities stated contain all elements that are being attached.
- Mark the crane's working area (e.g. with flags of safety band) in order to keep all persons away from working area at any time.
- Important note: All equipment mounted to the crane may only be adjusted or dismantled with the clear consent of the crane operator, as this may interfere with the balance of the system as a whole. Counterweight must be taken out of the crane and the outrigger needs to be secured before camera or any weight is taken off of the crane.
- Never operate with a damaged crane. Immediately stop operating the crane system when a damage occurs.
- Only use original MovieTech parts or parts authorized by MovieTech.
- What to do when damages occur or an accident happened:

Please immediately inform MovieTech about how the accident took place, how severe it was and about any kind of damage to the crane. Damaged parts should be sent back to the MovieTech factory for evaluation, repair and replacement. Operating the crane with damaged parts is not allowed – MovieTech takes no liability for damages or injuries due to the use of damaged parts. Please follow the locally applicable accident prevention guidelines!

Please be aware of possible dangers at all times and work with caution and responsibility.

**STAY SAFE !!**

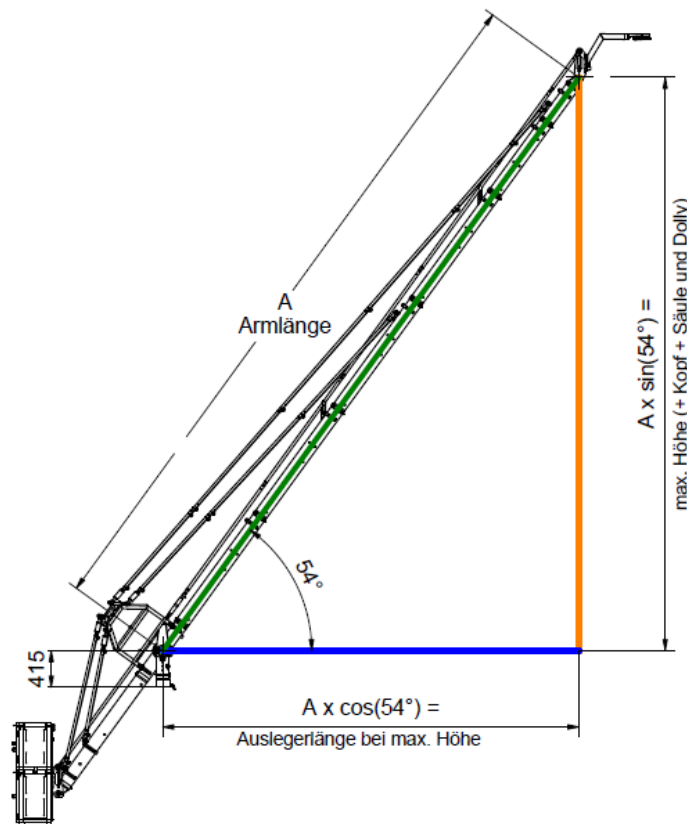


## 5. Arm Height

The Kirin Crane System is an ultra-versatile Camera-Crane System that can be used in various different length versions, from jib, over platform, to remote-crane.

To do justice to this variety of set up possibilities, the following formula can be used to calculate the parameter Arm Height (with Arm Height as the distance from the camera mounting plate to the ground).

$$\text{Arm height} = A (\text{Arm length}) \times \sin(54^\circ) + \text{Remotehead} + \text{Dolly height} + \text{column extension}$$



Frequently used height parameters:

Kirin Dolly with column incl. main segment	Column extension (Kirin Dolly)	Kirin Jib Dolly with column and main segment	Column extension (jib dolly)	Remote head height	Jib head height	Platform height (to Euromount)
1,53m	0,33m	1,43m	0,35m	0,44m	0,15m	0,21m

Example:

KIRIN VERSION	Calculation	max. Arm Height
4700-05 R14	14m Arm x sin(54°) + Kirin Dolly + column extension+ Remote Head Height → 14x sin(54°) + 1,53m + 0,33m + 0,44m	<b>13,63 m</b> From ground to Mitchell plate.

---

## **6. Kirin Crane Set-Up Versions**

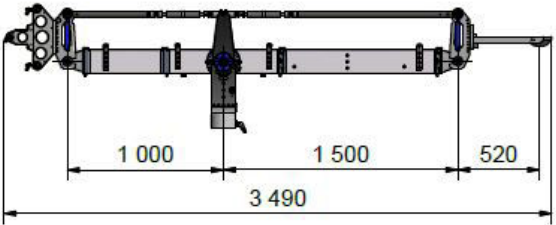
The MovieTech Kirin Crane is a versatile camera crane system that can be set up in various different set-up versions. The following pages describe the main set-up versions in the three main categories:

- Jib Versions
- Platform Versions
- Remote Versions

The crane may only be set up in accordance to the described versions as follows.

In case your requirements on set ask for another length or weight version then depicted, please contact the MovieTech-Team for approval before starting the set up.

## 1) Jib Arm Version -J1,5

Kirin Jib - Version 1,5m- J1,5			
			
Required Components:	Qty.	Item No	Description
	1	4700-1100	Crane Main Segment
	1	4700-2700	Jib Counter weight holder
	1	4700-1510	Bracing Rod 0,5m
	1	4700-1520	Bracing Rod 1,0m
	1	4700-3000	Kirin Segment 1m
	1	4700-5000	Kirin Segment 0,5m
	2	4700-7000	Rocker end piece
	1	4700-9700	Jib Head with exchangeable Bowl insert 150mm
Counterweights:			124 kg
Max. Arm Height:			1,36m + 1,78m (Kirin Jib Dolly with column extension) = <b>3,14m</b>
Max. Payload:			80 kg
Self weight (w/o base dolly):			70 kg
Dollies:		Kirin Base Dolly	✓
		Kirin Jib Dolly	✓
		CD 6 Base Dolly	✓
		CD 5 Base Dolly	✓
		4x4 Dolly	✓
		Leggero Dolly	✓
Notes:			

## 2) Jib Arm Version -J3 ( 4700-11)

Kirin Jib - Version 3m - J3		Art. No: 4700-11	
Required Components:	Qty.	Item No	Description
	1	4700-1100	Crane Main Segment
	1	4700-2700	Jib Counter weight holder
	2	4700-1510	Bracing Rod 0,5m
	2	4700-1520	Bracing Rod 1,0m
	4	4700-3000	Kirin Segment 1m
	3	4700-5000	Kirin Segment 0,5m
	2	4700-7000	Rocker end piece
1	4700-9700	Jib Head with exchangeable Bowl insert 150mm	
Counterweights		300 g	
Max. ArmHeight:		2,58m + 1,78m (Kirin Jib Dolly with column extension) <b>= 4,36m</b>	
Max. Payload:		80 kg	
Self weight (w/o base dolly):		100 kg	
Dollies:		Kirin Base Dolly	✓
		Kirin Jib Dolly	✓
		CD 6 Base Dolly	✓
		CD 5 Base Dolly	✓
		4x4 Dolly	✓
		Leggero Dolly	✓
Notes:			

### 3) Jib Arm Version -J5 ( 4700-12)

Kirin Jib - Version 5m - J5		Art. No: 4700-12		
Required Components	Qty.	Item No	Description	
	9	4700-5000	Bracing Rod 0,5m	
	10	4700-1000	Bracing Rod 1,0m	
	1	4700-1100	Crane Main Segment	
	2	4700-1600	Telescopic Bracing rod (flute)	
	4	4700-1700	Turnbuckle for bracing	
	4	4700-1860	Bracing End piece	
	2	4700-1960	Jib Bracing tower	
	1	4700-2151	Bracing bracket (for 2 <sup>nd</sup> bracing on the rear end piece)	
	1	4700-2700	Jib Counter weight holder	
	4	4700-3000	Kirin Segment 1m	
	3	4700-5000	Kirin Segment 0,5m	
	2	4700-7000	Rocker end piece	
1	4700-9700	Jib Head with exchangeable Bowl insert 150mm		
Counterweights			384 kg	
Max. ArmHeight:			4,19m + 1,78m (Kirin Jib Dolly with column extension) = <b>5,98m</b>	
Max. Payload:			80 kg	
Self weight (w/o base dolly):			145 kg	
Dollies:			Kirin Base Dolly	✓
			Kirin Jib Dolly	✓
			CD 6 Base Dolly	✓
			CD 5 Base Dolly	✓
			4x4 Dolly	X
			Leggero Dolly	X
Notes:				



## 4) Platform Version -P2 ( 4700-06)

Kirin Platform Version 2m - P2		Art. No: 4700-06	
Required Components:	Qty.	Item No	Description
	1	4700-1100	Crane Main Segment
	2	4700-1500	Bracing Rod 1,5m
	1	4700-2500	Counter weight basket
	2	4700-4000	Kirin Segment 1,5m
	2	4700-7000	Rocker end piece
	1	4700-9500	Platform incl. turnstile
Counterweights		228 kg	
Max. ArmHeight:		1,83m + 1,86 (Kirin Dolly with column extension) = <b>3,69m</b>	
Max. Payload:		250 kg	
Self weight (w/o base dolly):		125 kg	
Dollies:		Kirin Base Dolly	✓
		Kirin Jib Dolly	X
		CD 6 Base Dolly	X
		CD 5 Base Dolly	X
		4x4 Dolly	X
		Leggero Dolly	X
Notes:		<b>Warning:</b> Be very careful when getting off, as the crane loses its balance. Always take off counterweights beforehand.	

## 5) Platform Version -P2 ( 4700-07)

Kirin Platform Version 3,5m – P3,5		Art. No: 4700-07	
Required Components:	Qty.	Item No	Description
	2	4700-1000	Bracing Rod 1m
	7	4700-1500	Bracing Rod 1,5m
	1	4700-1100	Crane Main Segment
	4	4700-1600	Telescopic Bracing rod (flute)
	8	4700-1700	Turnbuckle for bracing
	8	4700-1860	Bracing End piece
	1	4700-1900SET	Bracing tower tall
	1	4700-2151	Bracing bracket (for 2 <sup>nd</sup> bracing on the rear end piece)
	1	4700-2500	Counter weight basket
	3	4700-4000	Kirin Segment 1,5m
	2	4700-7000	Rocker end piece
1	4700-9500	Platform incl. turnstile	
Counterweights		460 kg	
Max. ArmHeight:		3,04m + 1,86 (Kirin Dolly with column extension) = <b>4,90m</b>	
Max. Payload:		250 kg	
Self weight (w/o base dolly):		180 kg	
Dollies:		Kirin Base Dolly	✓
		Kirin Jib Dolly	X
		CD 6 Base Dolly	X
		CD 5 Base Dolly	X
		4x4 Dolly	X
		Leggero Dolly	X
Notes:		<b>Warning:</b> Be very careful when getting off, as the crane loses its balance. Always take off counterweights beforehand.	

## 6) Platform Version -P5 ( 4700-08)

Kirin Platform Version 5m – P5		Art. No: 4700-08	
Required Components:	Qty.	Item No	Description
	2	4700-1000	Bracing Rod 1m
	12	4700-1500	Bracing Rod 1,5m
	1	4700-1100	Crane Main Segment
	4	4700-1600	Telescopic Bracing rod (flute)
	8	4700-1700	Turnbuckle for bracing
	8	4700-1860	Bracing End piece
	1	4700-1900SET	Bracing tower tall
	1	4700-2151	Bracing bracket (for 2 <sup>nd</sup> bracing on the rear end piece)
	1	4700-2500	Counter weight basket
	1	4700-2500	Additional counter weight basket
	5	4700-4000	Kirin Segment 1,5m
	2	4700-7000	Rocker end piece
1	4700-9500	Platform incl. turnstile	
Counterweights		528 kg	
Max. ArmHeight:		4,25m + 1,86 (Kirin Dolly with column extension) = <b>6,12m</b>	
Max. Payload:		180 kg	
Self weight (w/o base dolly):		195 kg	
Dollies:		Kirin Base Dolly	✓
		Kirin Jib Dolly	X
		CD 6 Base Dolly	X
		CD 5 Base Dolly	X
		4x4 Dolly	X
		Leggero Dolly	X
Notes:		<b>Warning:</b> Be very careful when getting off, as the crane loses its balance. Always take off counterweights beforehand.	

## 7) Platform Version -P6,5 ( 4700-09)

Kirin Platform Version 6,5m – P6,5		Art. No: 4700-09	
Required Components:	Qty.	Item No	Description
	2	4700-1000	Bracing Rod 1m
	15	4700-1500	Bracing Rod 1,5m
	1	4700-1100	Crane Main Segment
	4	4700-1600	Telescopic Bracing rod (flute)
	8	4700-1700	Turnbuckle for bracing
	8	4700-1860	Bracing End piece
	1	4700-1900SET	Bracing tower tall
	1	4700-2151	Bracing bracket (for 2 <sup>nd</sup> bracing on the rear end piece)
	1	4700-2500	Counter weight basket
	1	4700-2500	Additional counter weight basket
	5	4700-4000	Kirin Segment 1,5m
	2	4700-7000	Rocker end piece
1	4700-9500	Platform incl. turnstile	
Counterweights		600 kg	
Max. ArmHeight:		5,47m + 1,86 (Kirin Dolly with column extension) = <b>7,33m</b>	
Max. Payload:		150 kg	
Self weight (w/o base dolly):		242 kg	
Dollies:		Kirin Base Dolly	✓
		Kirin Jib Dolly	X
		CD 6 Base Dolly	X
		CD 5 Base Dolly	X
		4x4 Dolly	X
		Leggero Dolly	X
Notes:		<b>Warning:</b> Be very careful when getting off, as the crane loses its balance. Always take off counterweights beforehand.	

## 8) Remote Version -R8 ( 4700-02)

Kirin Remote Version 8m - R8		Art. No: 4700-05		
Required Components	Qty.	Item No	Description	
	3	4700-5000	Bracing Rod 0,5m	
	5	4700-1000	Bracing Rod 1m	
	17	4700-1500	Bracing Rod 1,5m	
	1	4700-1100	Crane Main Segment	
	4	4700-1600	Telescopic Bracing rod (flute)	
	8	4700-1700	Turnbuckle for bracing	
	8	4700-1860	Bracing End piece	
	1	4700-1900SET	Bracing tower tall	
	1	4700-2151	Bracing bracket (for 2 <sup>nd</sup> bracing on the rear end piece)	
	2	4700-2300	Bracing support	
	1	4700-2500	Counter weight basket	
	7	4700-4000	Kirin Segment 1,5m	
	1	4700-5000	Kirin Segment 0,5m	
	2	4700-7000	Rocker end piece	
1	4700-9100	Remotehead Mount, rotatable w. 4-Way Leveller		
Counterweights			528 kg	
Max. ArmHeight:			6,91m + 1,86 (Kirin Dolly with column extension) = <b>8,77m</b>	
Max. Payload:			80 kg	
Self weight (w/o base dolly):			255 kg	
Dollies:			Kirin Base Dolly	✓
			Kirin Jib Dolly	X
			CD 6 Base Dolly	X
			CD 5 Base Dolly	X
			4x4 Dolly	X
			Leggero Dolly	X
Notes:				

## 9) Remote Version -R10 ( 4700-03)

Kirin Remote Version 10m – R10		Art. No: 4700-03	
Required Components:	Qty.	Item No	Description
	3	4700-5000	Bracing Rod 0,5m
	2	4700-1000	Bracing Rod 1m
	23	4700-1500	Bracing Rod 1,5m
	1	4700-1100	Crane Main Segment
	4	4700-1600	Telescopic Bracing rod (flute)
	8	4700-1700	Turnbuckle for bracing
	8	4700-1860	Bracing End piece
	1	4700-1900SET	Bracing tower tall
	1	4700-2151	Bracing bracket (for 2 <sup>nd</sup> bracing on the rear end piece)
	2	4700-2300	Bracing support
	1	4700-2500	Counter weight basket
	1	4700-2500	Additional counter weight basket
	7	4700-4000	Kirin Segment 1,5m
	1	4700-5000	Kirin Segment 0,5m
	2	4700-7000	Rocker end piece
	1	4700-9100	Remotehead Mount, rotatable w. 4-Way Leveller
Counterweights	656 kg		
Max. ArmHeight:	8,53m + 1,86 (Kirin Dolly with column extension) = <b>10,39m</b>		
Max. Payload:	70 kg		
Self weight (w/o base dolly):	275 kg		
Dollies:	Kirin Base Dolly	✓	
	Kirin Jib Dolly	X	
	CD 6 Base Dolly	X	
	CD 5 Base Dolly	X	
	4x4 Dolly	X	
	Leggero Dolly	X	
Notes:			

## 10) Remote Version -R12 ( 4700-04)

Kirin Remote Version 12m – R12		Art. No: 4700-04		
Required Components:	Qty.	Item No	Description	
	5	4700-1000	Bracing Rod 1m	
	28	4700-1500	Bracing Rod 1,5m	
	1	4700-1100	Crane Main Segment	
	4	4700-1600	Telescopic Bracing rod (flute)	
	8	4700-1700	Turnbuckle for bracing	
	8	4700-1860	Bracing End piece	
	1	4700-1900SET	Bracing tower tall	
	1	4700-2151	Bracing bracket (for 2 <sup>nd</sup> bracing on the rear end piece)	
	2	4700-2300	Bracing support	
	1	4700-2500	Counter weight basket	
	1	4700-2500	Additional counter weight basket	
	8	4700-4000	Kirin Segment 1,5m	
	1	4700-3000	Kirin Segment 1m	
	2	4700-7000	Rocker end piece	
1	4700-9100	Remotehead Mount, rotatable w. 4-Way Leveller		
Counterweights				
Max. ArmHeight:			10,15m + 1,86 (Kirin Dolly with column extension) = <b>12,01m</b>	
Max. Payload:			60 kg	
Self weight (w/o base dolly):			300 kg	
Dollies:			Kirin Base Dolly	✓
			Kirin Jib Dolly	X
			CD 6 Base Dolly	X
			CD 5 Base Dolly	X
			4x4 Dolly	X
			Leggero Dolly	X
Notes:				

## 11) Remote Version -R14 ( 4700-05)

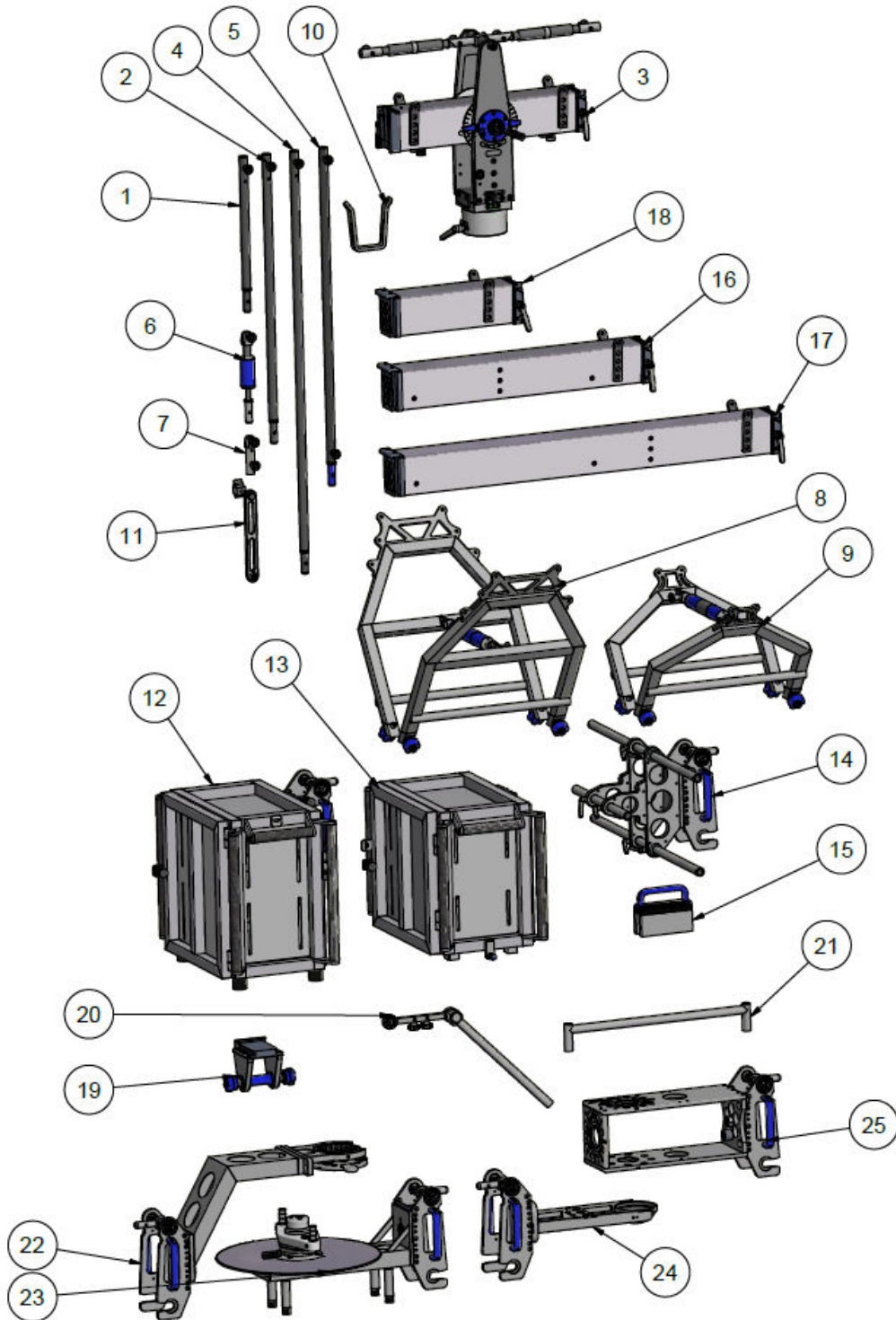
Kirin Remote Version 14m – R14		Art. No: 4700-05													
Required Components:	Qty.	Item No	Description												
	3	4700-5000	Bracing Rod 0,5m												
	5	4700-1000	Bracing Rod 1m												
	43	4700-1500	Bracing Rod 1,5m												
	1	4700-1100	Crane Main Segment												
	6	4700-1600	Telescopic Bracing rod (flute)												
	10	4700-1700	Turnbuckle for bracing												
	10	4700-1860	Bracing End piece												
	1	4700-1900SET	Bracing tower tall												
	1	4700-2151	Bracing bracket (for 2 <sup>nd</sup> bracing on the rear end piece)												
	3	4700-2300	Bracing support												
	1	4700-2500	Counter weight basket												
	1	4700-2500	Additional counter weight basket												
	9	4700-4000	Kirin Segment 1,5m												
	1	4700-3000	Kirin Segment 1m												
1	4700-5000	Kirin Segment 0,5m													
2	4700-7000	Rocker end piece													
1	4700-9100	Remotehead Mount, rotatable w. 4-Way Leveller													
Counterweights			936 kg												
Max. ArmHeight:			11,76m + 1,86 (Kirin Dolly with column extension) = <b>13,63m</b>												
Max. Payload:			40 kg												
Self weight (w/o base dolly):			343 kg												
Dollies:			<table border="1"> <tr> <td>Kirin Base Dolly</td> <td>✓</td> </tr> <tr> <td>Kirin Jib Dolly</td> <td>X</td> </tr> <tr> <td>CD 6 Base Dolly</td> <td>X</td> </tr> <tr> <td>CD 5 Base Dolly</td> <td>X</td> </tr> <tr> <td>4x4 Dolly</td> <td>X</td> </tr> <tr> <td>Leggero Dolly</td> <td>X</td> </tr> </table>	Kirin Base Dolly	✓	Kirin Jib Dolly	X	CD 6 Base Dolly	X	CD 5 Base Dolly	X	4x4 Dolly	X	Leggero Dolly	X
Kirin Base Dolly	✓														
Kirin Jib Dolly	X														
CD 6 Base Dolly	X														
CD 5 Base Dolly	X														
4x4 Dolly	X														
Leggero Dolly	X														
Notes:															





## 7. KIRIN System Components

### 1) Overview



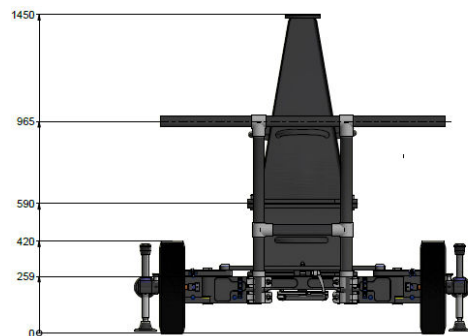
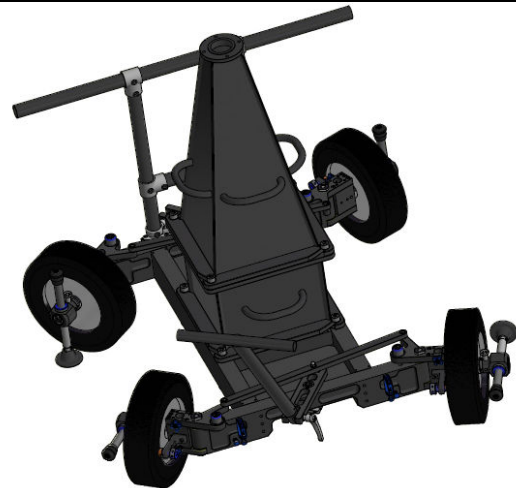
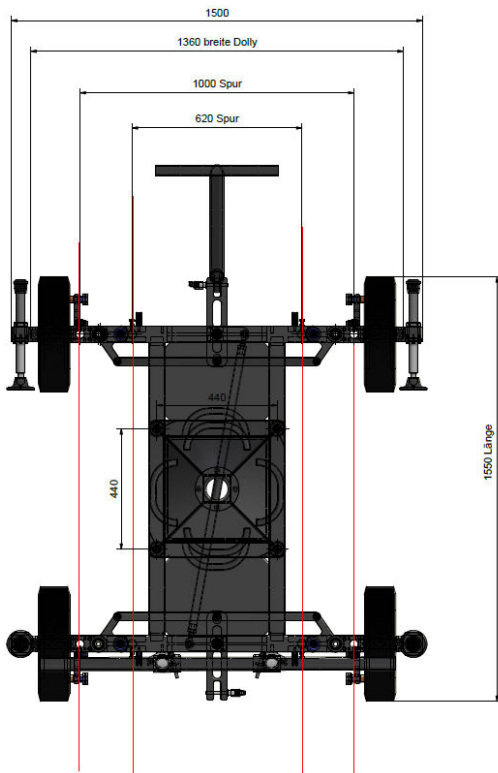
**2) Description and Article Codes**

Stückliste				
OBJEKT	ANZAHL	BAUTEILNUMMER	BEZEICHNUNG	OL-Nr.
1	1	4700-500	Abspannstange 0,5m	
2	1	4700-1000	Abspannstange 1,0m	
3	1	4700-1100	Kranmittelteil montiert	
4	1	4700-1500	Abspannstange 1,5m	
5	1	4700-1600	Flötenstange	
6	1	4700-1700	Abspannivellierung	
7	1	4700-1860	Abspannschluss	
8	1	4700-1900SET	Geweih	
9	1	4700-1960SET	Kleines Geweih komplett	
10	1	4700-2151	Abstreitungsglasche	
11	1	4700-2300	Stütze	
12	1	4700-2500	unterer Korb, montiert	
13	1	4700-2600	Zusatzkorb	
14	1	4700-2700	Gegengewichtsaufnahme JIB	
15	1	4700-2800		
16	1	4700-3000	Kransegment 1m	
17	1	4700-4000	Kransegment 1,5m	
18	1	4700-5000	Kransegment 0,5m	
19	1	4700-7000	Wippe	
20	1	4700-7300	Vari- Griff	
21	1	4700-7500	Handlauf	
22	1	4700-9100	Remote Galgen	
23	1	4700-9500	Plattform Kirin	
24	1	4700-9700	Jib Löffel	
25	1	4700-9800	Nosemount	

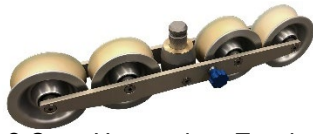
## 8. KIRIN Dollies

### 1) Kirin Base Dolly ( 4705-01SET)

	<p>The New Kirin Base Dolly</p> <ul style="list-style-type: none"> <li>- 4Wheel Steering</li> <li>- Hard-Rubber-wheels</li> <li>- Ultra strong Levelling legs</li> <li>- Pushbar and steering rod</li> <li>- Pyramid/column and column extension</li> <li>- For 100cm and 62cm track width</li> </ul> <p>Additional:</p> <ul style="list-style-type: none"> <li>- Track wheels</li> <li>- Carrying bars</li> </ul>
---	--



The new Kirin Base Dolly (4705-01SET) features two mounting positions for the track wheels.

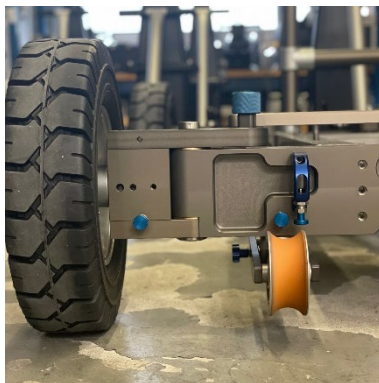


4407-0 Set - Heavy duty Track wheels

The track wheels can be easily attached by simply pulling the quick lock pin and attaching the track wheels at the corresponding position. Due to the new levelling leg system, the mounting positions for both track wheel slots are always free. Carrying bars allow for easy and ergonomix transport of the base dolly. **Important:** All four axles must be secured/locked, when working with the crane.



4404-0Set - Track wheels



Track width 62 cm



Track width: 100cm



Levelling leg in transport position



Levelling leg in operational position



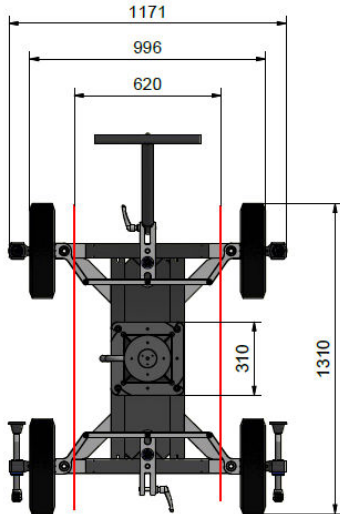
**Important:**  
When working with the crane, all four axles must be secured.



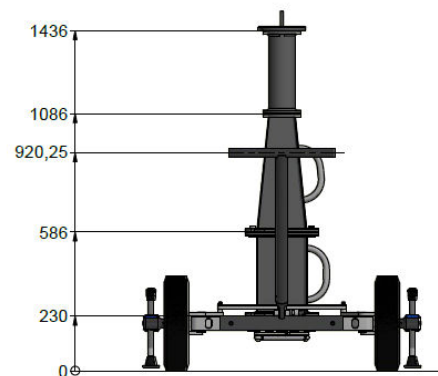
Carrying bars allow for easy and ergonomix transport of the base dolly.

## 2) Jib Dolly (7530-0SET)

	<p>The New Kirin Jib Base Dolly</p> <ul style="list-style-type: none"> <li>- 4Wheel Steering</li> <li>- Hard-Rubber-wheels</li> <li>- steering rod</li> <li>- 3 piece column</li> <li>- 62cm track width</li> </ul> <p>Additional:</p> <ul style="list-style-type: none"> <li>- Track wheels</li> <li>- Leveling legs</li> </ul>
---	--



( M 1 : 15 )



Track width: 62 cm

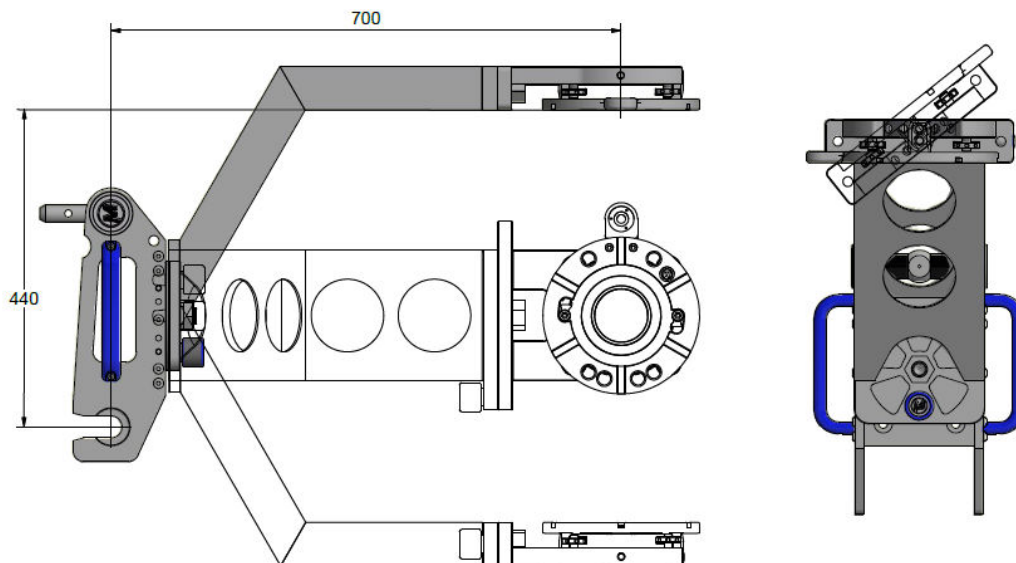
## 9. Kirin Head Options

### 1) Remote Head Mount (4700-9100)

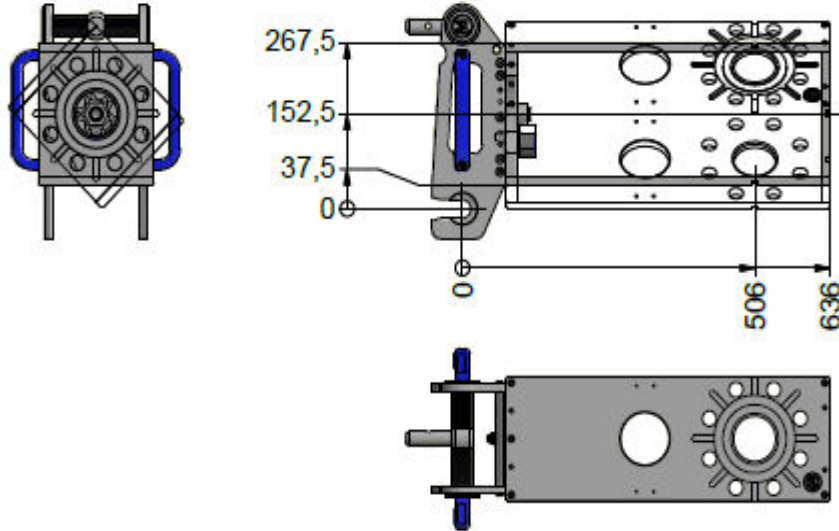
The remote head mount of the new KIRIN CRANE is designed to offer maximum freedom. No matter how you want to mount your remote head – the innovative concept allows you a variety of mounting positions.

- Integrated 4-way levelling system
- Rotatable remote head mount
- Rotatable mounting plates

Numerous mounting plates available

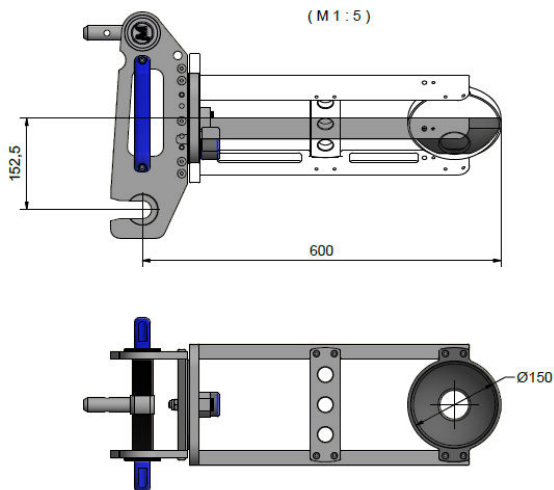


## 2) Nose Mount (4700-9800)



## 3) Jib Head (4700-9700)

The Kirin Jib Head is equipped with an exchangeable Bowl insert (150mm)-

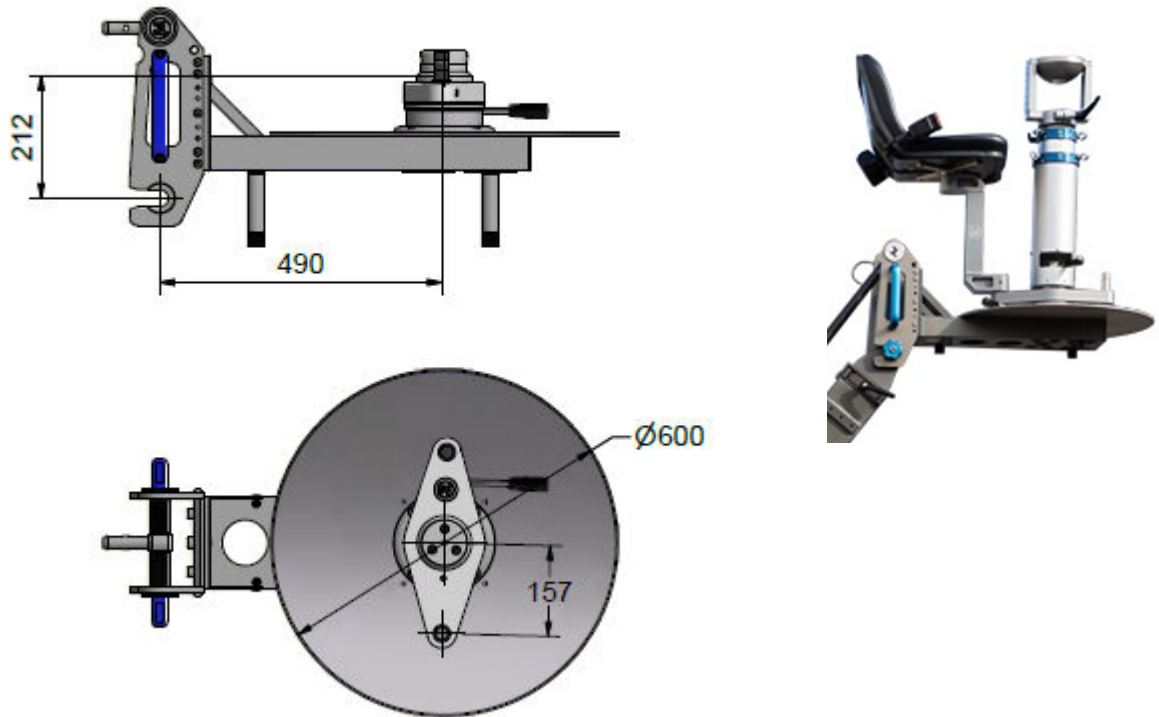


Other alternatives are available upon request:


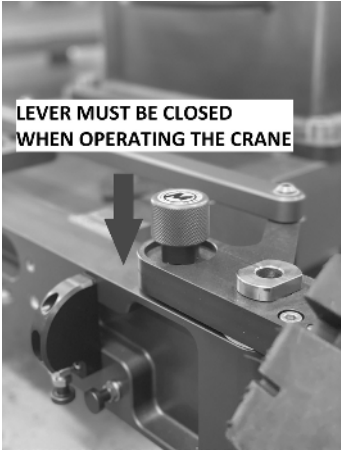

- Euro clamp (2041-30SET)
- Mitchell plate (2041-10)
- Bowl insert 100mm (2032-1)









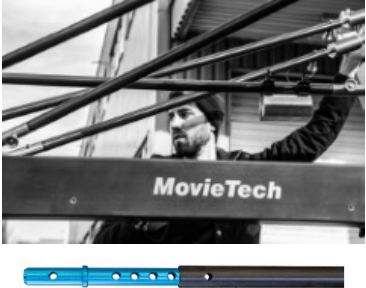


4) Manned Platform (4700-9500)


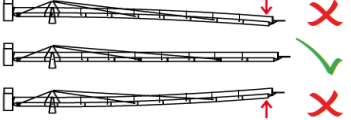





**10. Set-Up: step by step**

Step	Description	Details
<p><b>1 . Secure work area</b></p>	<p>Make sure that there are no unauthorized persons or objects in the working area of the crane. If necessary, markings with barrier tapes or warning signs are required.</p>	
<p><b>2. Base on firm ground or on tracks</b></p>	<p>Position the Kirin Base Dolly on a firm and stable ground. Attention: Ground loading capacity: min. 3000kg/m<sup>2</sup> <b>ATTENTION: always lock steering axes before set-up!</b></p> <p>On tracks: set up tracks according to the respective set-up manual. Always use appropriate track support. Tracks need to be levelled precisely</p> <p>On firm ground: -Lever can be opened for 4-wheel steering when positioning the base dolly. When operating un levelling legs, the axis lever needs to be closed to block axes. - Attach and lock levelling legs and precisely level out the base dolly.</p>	<p style="color: red; text-align: center;"><b>Attention!</b></p>  

<p><b>3. Attach pyramid</b></p>	<p>Attach pyramid on the base. All screws must be tightly closed. If required: add column extension cube under pyramid to gain extra height.</p>	
<p><b>4. Attach Center Pivot Section</b></p>	<p><b>ATTENTION !</b> Check the bubble level again to ensure that the center pivot section is correctly levelled.</p>	
<p><b>5. Attach bracing tower (if required)</b></p>	<p>Attach tower bracing according to the corresponding set-up version (see set-up versions) and tightly lock screws. Attach tower turnbuckle.</p>	
<p><b>6. Mount rear outrigger and central bracing rod</b></p>	<p>Tightly lock the Quick-lock-mechanism between the segments. Make sure that the ball-lock-pins are properly in position and locked.</p> <p>Always use crane support during set-up.</p>	
<p><b>7. Mount front outrigger and central bracing rod</b></p>	<p>Tightly lock the Quick-lock-mechanism between the segments. Make sure that the ball-lock-pins are properly in position and locked.</p> <p>Always use crane support during set-up.</p>	

<p><b>8.Add frond end rear end-piece</b></p>	<p>“Rocker end piece”</p>	
<p><b>9.Attach tower bracings</b></p>	<p>Attach tower bracings according to the corresponding set-up version (see set-up versions) and tightly lock screws</p> <p><b>ATTENTION:</b></p> <ul style="list-style-type: none"> <li>- Always add a “Telescopic Bracing rod (flute)” for length rough adjustment</li> <li>- Always add a “Turnbuckle for bracing” for fine adjustment</li> </ul> <p>Note: the Bracing bracket (for 2<sup>nd</sup> bracing on the rear end piece) can be mounted on the corresponding position of rear end piece for the second rear bracing, if required.</p>	 
<p><b>10.Attach Counterweight Basket or jib counterweight holder</b></p>	<p>Level out Counterweight Basket with turnbuckle.</p>	

<p><b>11. Attach jib head, platform or remote-read-mount.</b></p>	<p>According to set-up version.</p> <p><b>WARNING:</b> Maximum front arm length for use of platform – 6,5m! (see set-up versions) Be very careful when getting off, as the crane loses its balance. Always take off counterweights beforehand.</p>	
<p><b>12. tighten turnbuckles</b></p>	<p><b>ATTENTION !</b> Watch out for flexing of crane! The crane outrigger must be straight.</p>	 
<p><b>13. Balance the Crane</b></p>	<p>Add counterweights to roughly balance the crane. Brake on central piece must be released for balancing. Load the crane with camera and re-balance.</p>	
<p><b>14. Fine adjustment</b></p>	<p>Fine adjustment for fine balancing according to respective loading. Use fine adjustment piece counter weight on the rear bracing bar.</p>	



## 11. Recurrent inspection

Ref. safety-related and und maschine-related equipment on stages and in studios.  
Certification of recurrent inspection according to „§34 UVV Veranstaltungs- und Produktionsstätten für szenische Darstellung (VBG 70).“

<b>Product:</b>	<b>MovieTech Kirin Crane</b>	
<b>The following inspections have been performed:</b>		
Date:	Description of maintenance:	Name:
Date:	Description of maintenance:	Name:
Date:	Description of maintenance:	Name:
Date:	Description of maintenance:	Name:
Date:	Description of maintenance:	Name:

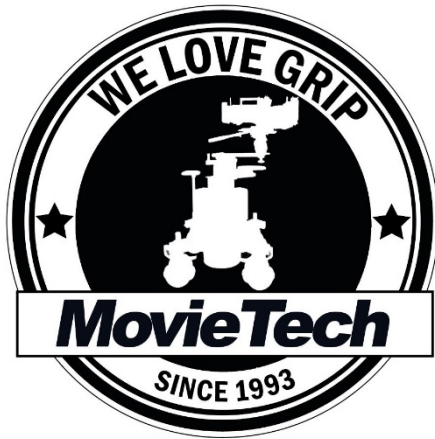








## The MovieTech family



Everyone at MovieTech is passionate about grip equipment.

Our brand stands for high quality and reliable grip equipment – since 1993.

In order to meet the high demands of our customers and to fulfill our motto

“**Grip-Equipment you can rely on**”, we produce all our MovieTech products with passion and care in our factory in Munich.

Always with the aim of developing user-friendly, versatile, robust and reliable camera support systems that users will love.

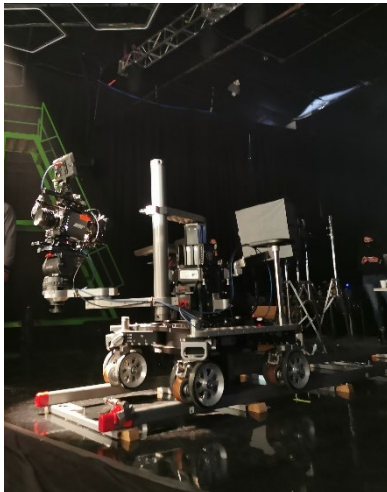
## MovieTech

## ABC PRODUCTS

by MovieTech

## MTS

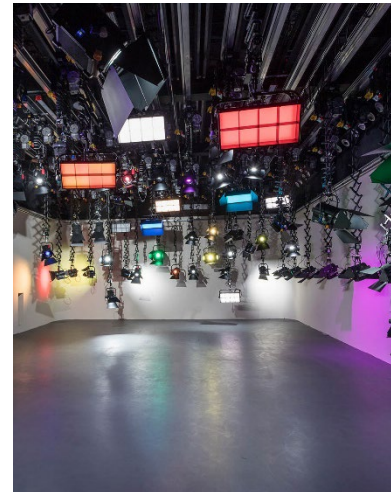
Media Technical System  
by MovieTech



[www.movietech.de](http://www.movietech.de)



[www.abc-products.de](http://www.abc-products.de)



[www.mts-germany.de](http://www.mts-germany.de)

**MovieTech AG**  
Martin-Kollar-Str. 9  
80801 Munich – Germany  
+49 (0) 89 /436 891 3 | [info@movietech.de](mailto:info@movietech.de)